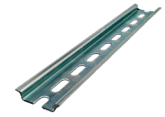
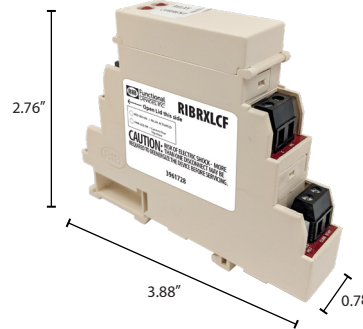
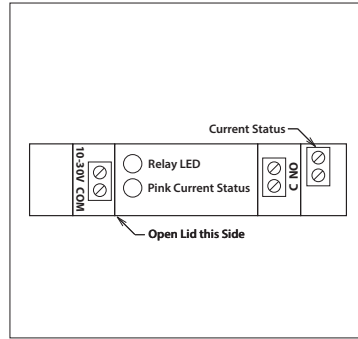
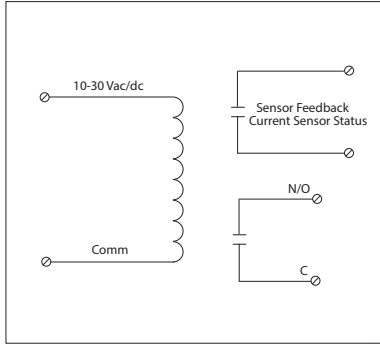


**10 AMP PILOT CONTROL RELAY**

**RIBRXLCF**

DIN Mount Relay 10 Amp SPST with 10-30 Vac/dc Coil and Fixed Current Sensor, Replaceable Relay



**ADIN35**  
DIN Rail Perforated  
35mm x 7.5mm x 1m



**ADIN35ES**  
Pair of End Stops  
for 35mm DIN Rail

Models ADIN35 and ADIN35ES sold separately. See data sheet on website for more product information.

**Specifications**

- # Relays & Contact Type: One (1) SPST Continuous Duty Coil
- Expected Relay Life: 10 million cycles minimum mechanical
- Operating Temperature: -30 to 140° F
- Humidity Range: 5 to 95% (noncondensing)
- Operate Time: 20mS
- Relay Status: LED On = Activated
- Dimensions: 3.88" x 2.76" x 0.78"
- Terminal Strip: 14-22 AWG wire
- Approvals: UL Listed, UL916, C-UL, CE, RoHS
- Gold Flash: Yes
- Sensing Range: .25 - 10A
- Replacement Relay: ARL1C
- Accessories: ADIN35, ADIN35ES

- Contact Ratings:**
- 10 Amp Resistive @ 277 Vac
  - 10 Amp Resistive @ 28 Vdc
  - 480 VA Pilot Duty @ 240/277 Vac
  - 480 VA Ballast @ 277 Vac
  - Not rated for Electronic Ballast
  - 600 Watt Tungsten @ 120 Vac
  - 1/3 HP @ 120-240 Vac
  - 1/4 HP @ 277 Vac

- Power and Control Voltage:**
- 10-30 Vac/dc ; 50-60 Hz
  - Drop Out = 2.1 Vac / 2.8 Vdc
  - Pull In = 9 Vac / 10 Vdc

- Coil Current:**
- |                |                |
|----------------|----------------|
| 33 mA @ 10 Vac | 13 mA @ 10 Vdc |
| 35 mA @ 12 Vac | 15 mA @ 12 Vdc |
| 46 mA @ 24 Vac | 18 mA @ 24 Vdc |
| 55 mA @ 30 Vac | 20 mA @ 30 Vdc |

- Sensor Contact:**  
Solid State Contact  
30Vac/dc, 0.1A Max.

- When current sensor status is off (open), leakage <30 uA @ 30Vac/dc
- When current sensor status is on (closed), voltage drop < .3 Vac/dc @ .1 Amp